

SEEMATZ

Searchlight



SEEMATZ Searchlights

The SEEMATZ searchlights are constructed of seawater resistant aluminium and have extra hardened BI-VETRAL safety front panes. The reflectors are made of aluminium, on request it will be possible to install a 400W heating into all searchlights with 230VAC input power.

SEEMATZ searchlights are designed to facilitate service. The backside of the searchlights can be opened without using tools by quick-release snaps. Also the cable glands are mounted on the backside cover. This makes it possible to remove the complete plug-in unit including the mirror, lamp, socket and the heating only by unlock the quick-release snaps. This can be important in case of bad weather conditions !!

The column types are designed to operate inside from the wheelhouse. The construction is totally watertight and easy to install. After cutting a hole, the column can be inserted smoothly into the roof. This installation is secure and elegant even at roofs with a thick insulation.

SEEMATZ manual steerings are available in two different diameters (80 or 100mm).

Every searchlight from the 273 up to the 463 types can be mounted on a 80mm pedestal, except the 463 searchlight with HBO,HMI or XBO lamp. This searchlights and also every searchlight type 525 must be mounted on a 100mm pedestal. SEEMATZ searchlights type 750 will be delivered with a 120mm diameter column.

Following types are available:

273, 351, 463, 525 and 750 - kind of type = reflector diameter in millimetre.

They can be combined with following lamps

HGS = Halogen lamp

HBO = High-Pressure-Mercury-Lamp

HMI = Metal Halide Vapour Lamp

XBO = Xenon Short-Arc Lamp

ZH = Tin Halide Lamp

and with following steerings

DS = direct operation at the searchlight

DH = direct operation at the searchlight – searchlight will be mounted on a 1 m pedestal.*

WS = searchlight with a 500 mm column into the wheelhouse.*

WH = searchlight with a 500 mm column into the wheelhouse on a 1 m pedastel over deck.*

EF = searchlight with a electrical remote control.

* = other length on request

Manual steering types

SEEMATZ standard steerings are available in two different dimensions.

The standard diameter for all columns will be 100mm. This type can be used for all SEEMATZ searchlights in every area. Also available is a type with 80mm diameter. That one can be used for all SEEMATZ searchlights from 273 up to 463 HGS, but only in non-polar areas.

Following steering types are available:

DS = deck short, searchlight direct on a mounting foot

DH = deck high, searchlight on a pedestal with a standard length from 1000mm

WS = wheelhouse short, searchlight on a mounting foot with a 500mm column into the bridge.

WH = wheelhouse high, searchlight on a 1000mm pedestal and 500mm column into the bridge.

Non standard length of the pedestals or columns are available on request.

Every steering type is totally watertight and easily installed. After cutting a hole, the column can be inserted smoothly into the vessel's ceiling. This installation makes a secure and elegant finish, even for wheelhouse roofs with thick insulation.

HGS-Series with Halogen lamps

Searchlight head $\emptyset = G$	Possible input voltages Volt	Reflector \emptyset	Measurement (mm) the same at 80/100mm \emptyset								Weight kg
			A	B	C	D	E	F	G	H	
DS	24VDC/AC ● 230VAC ○ other voltages on request	180mm	400	505	360	320				273	10
DH			400	1425	1280	320			273	1000	20
WS			400	545	400	320	500	300	273		16
WH			400	1425	1280	320	500	300	273	1000	25
DS	24VDC/AC ● 110VAC ○ 230VAC ● other voltages on request	250mm	485	645	470	390				351	14
DH			485	1550	1375	390			351	1000	24
WS			485	670	495	390	500	300	351		20
WH			485	1550	1375	390	500	300	351	1000	29
DS	24VDC/AC ○ 110VAC ○ 230VAC ● 440VAC ○ other voltages on request	360mm	610	820	575	470				463	22
DH			610	1725	1480	470			463	1000	32
WS			610	845	600	470	500	300	463		27
WH			610	1725	1480	470	500	300	463	1000	37
DS	24VDC/AC ○ 110VAC ○ 230VAC ● 440VAC ○ other voltages on request	420mm	665	895	633	565				525	26
DH			665	1800	1538	565			525	1000	36
WS			665	920	658	565	500	300	525		32
WH			665	1800	1538	565	500	300	525	1000	41

XBO-Series with Short-arc lamps

Searchlight head $\emptyset = G$	Possible input voltages Volt	Reflector \emptyset	Measurement (mm) the same at 80/100mm \emptyset								Weight Searchl. kg	Weight Powersupp kg
			A	B	C	D	E	F	G	H		
DS	110VAC ○ 230VAC ● other voltages on request	250mm	485	645	470	390				351	28	25
DH			485	1550	1375	390				351 1000	38	25
WS			485	670	495	390	500	300		351	34	25
WH			485	1550	1375	390	500	300		351 1000	42	25
DS	110VAC ○ 230VAC ● 440VAC ○ other voltages on request	360mm	610	820	575	555				463	36	30
DH			610	1725	1480	555				463 1000	46	30
WS			610	845	600	555	500	300		463	42	30
WH			610	1725	1480	555	500	300		463 1000	51	30
DS	110VAC ○ 230VAC ● 440VAC ○ other voltages on request	420mm	665	895	633	*				525	40	1000W = 44 kg 2000W = 60 kg
DH			665	1800	1538	*				525 1000	50	
WS			665	920	658	*	500	300		525	46	
WH			665	1800	1538	*	500	300		525 1000	55	

* 565mm with 450 Watt, 625mm as of 1000 Watt

HBO-Series with High-pressure Mercury lamps

Searchlight head $\emptyset = G$	Possible input voltages Volt	Reflector \emptyset	Measurement (mm) the same at 80/100mm \emptyset								Weight Searchl. kg	Weight Powersupp kg
			A	B	C	D	E	F	G	H		
DS	110VAC ○ 230VAC ● other voltages on request	250mm	485	645	470	390				351	28	25
DH			485	1550	1375	390				351 1000	38	25
WS			485	670	495	390	500	300		351	34	25
WH			485	1550	1375	390	500	300		351 1000	42	25

HMI-Series with Metal halide vapour lamps

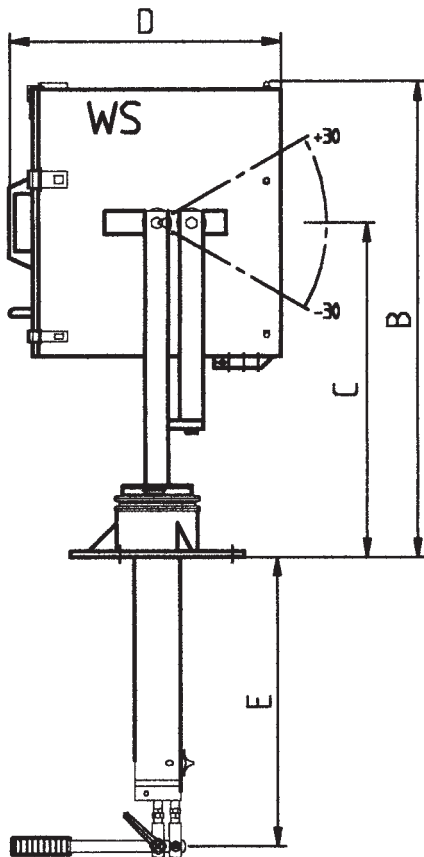
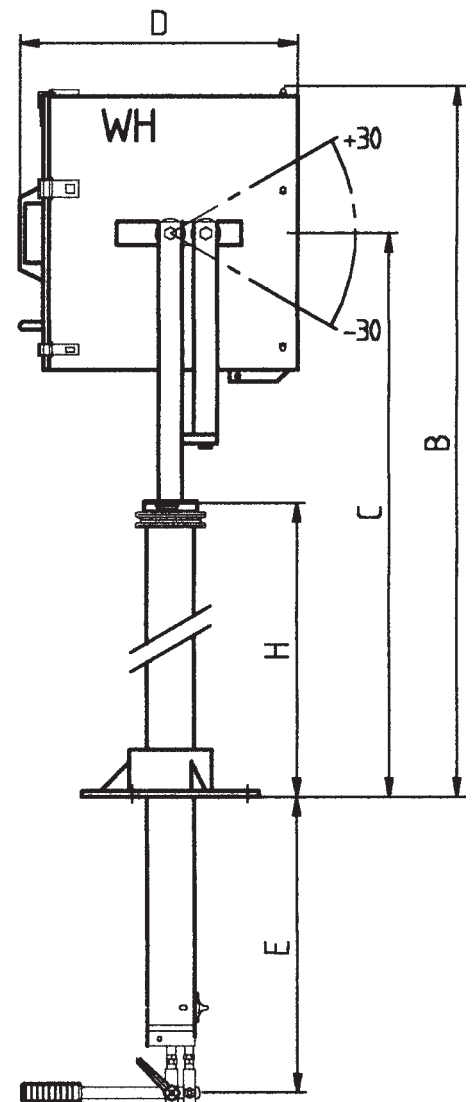
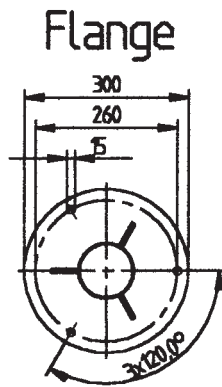
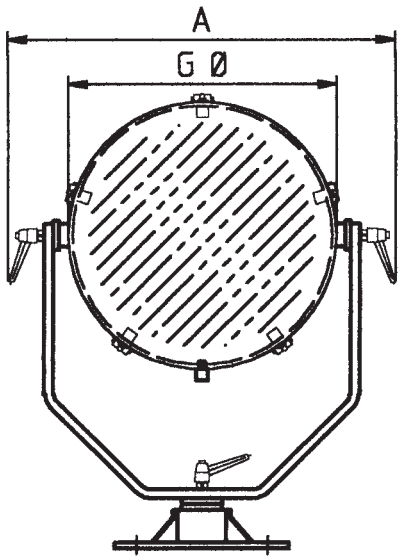
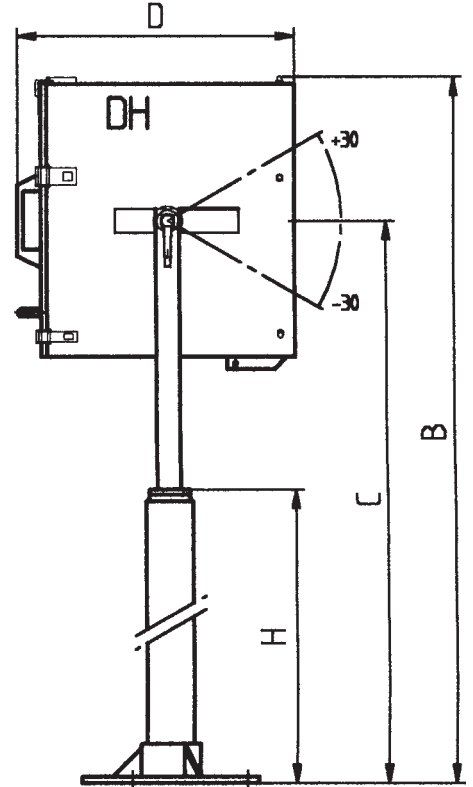
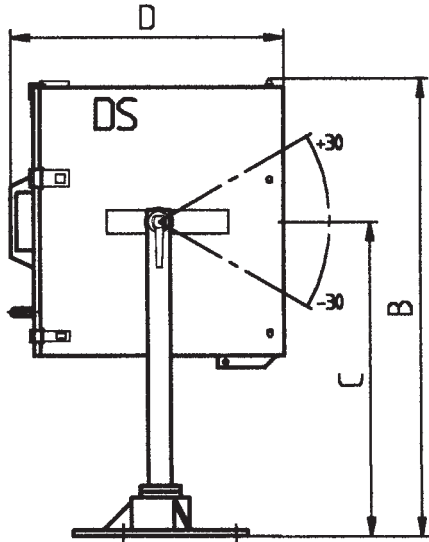
Searchlight head $\emptyset = G$	Possible input voltages Volt	Reflector \emptyset	Measurement (mm) the same at 80/100mm \emptyset								Weight Searchl. kg	Weight Powersupp kg
			A	B	C	D	E	F	G	H		
DS	110VAC ○ 230VAC ● 440VAC ○ other voltages on request	360mm	610	820	575	555				463	23	8
DH			610	1725	1480	555				463 1000	33	8
WS			610	845	600	555	500	300		463	29	8
WH			610	1725	1480	555	500	300		463 1000	38	8
DS	110VAC ○ 230VAC ● 440VAC ○ other voltages on request	420mm	665	895	633	625				525	27	10
DH			665	1800	1538	625				525 1000	37	10
WS			665	920	658	625	500	300		525	33	10
WH			665	1800	1538	625	500	300		525 1000	42	10

Explanation:

The sizes „E“ and „H“ are written in standard length, other dimensions are possible.

● = Standard

○ = Special version



Electrical Remote Control

All remote controls produced by Pesch Marinescheinwerfer stand out for their practical construction and their robust and powerful motors.

The SEEMATZ Remote Controls are installed on many vessels all over the world, i.e., fishing vessel, German rescue ships, some container vessels, and some of the biggest cruise liners.

Their performance is absolutely reliable under (partly) bad conditions.

The following types are available:

EF A

This remote control is built for an input voltage from 24VDC and is suitable for searchlights from 273 – 463, except short-arc lamps (s.a. XBO, HBO, HMI). It is not irrelevant which input voltage the searchlights have, but please give us that information on your order.

This type is delivered with service doors on both sides.

EF D

like EF A, but up to 4 control desks possible

EF S

The EF S is built for a 230VAC input and is suitable for searchlights from 273 - 525 except the XBO-searchlights of the 525 range. It also has service doors at the sides and a 400W thermostatic heating.

EF N

This type is like the S for an input from 230VAC. All searchlights from 273 - 525, including the XBO-searchlights, can be combined with this remote control. The high body of this type is suitable to avoid obstructions to the beam of the searchlight. Naturally, the EF N has service doors at the side and a 400W thermostatic heating.

EF Z

Especially built for searchlights of the 750 range. Same dimension as EF N.

EF NH

Similar to our EF N but for installation under the bridge wings.
All the searchlights from 351 - 525 can be combined with this remote control.
Swivelling range vertical +10° to -90°.

All the SEEMATZ remote controls will be delivered with a control panel. On the panel you will control the direction by a joystick, left, right, up, down will be indicated by green self-dimming LEDs. The panel shows different indicator lamps for halogen or arc lamps, as well as for focus or not. If you need more than one panel we will deliver additionally a connecting print card for low cost. It is possible to install max. 4 panels on any searchlight without an electrical or mechanical change on the unit. It will be possible to deliver all remote controls with a 0°-electronically controlled position from the control panel. It is also possible to combine that feature with a digital angular information and a 0° reset switch on the panel.

All the SEEMATZ remote controls have a swivelling range from:
+165° to -165° horizontal and +30° to -30° vertical.
(The swivelling range from the EF NH-suspended will be different)

The swivelling speed is:
ca. 20 sec. for 330° horizontal and ca. 45 sec. for 60° vertical.

Dimensions for electrical controlled Searchlights

Type	Input voltage	to combine with searchlight	Measurement with searchlight						Weight	
			A	B	C	D	G	H		
EFA / EFD	24VDC	273	371	815	665	●	273	320	51	
		351	449	900	725	●	351	320	55	
		463	561	1007	775	●	463	320	63	
EFS	230VAC	273	371	815	665	●	273	320	51	
		351	449	900	725	●	351	320	55	
		463	561	1007	775	●	463	320	63	
		525	623	1067	805	●	525	320	67	
EFN	230VAC	273	371	950	800	●	273	455	53	
		351	449	1035	860	●	351	455	57	
		463	561	1142	910	●	463	455	65	
		525	623	1202	940	●	525	455	70	
EFNT	230VAC	273	„A“ = as well as the before standing type's All the other dimensions follow the „H“ size. The „H“ size will be variable above 500mm							
		351								
		463								
		525								
EFNZ	230VAC	750	907	1545	1170	●	750	485	95	
EFNH	230VAC	351	466	1273	1000	●	351	455	62	
		463	578	1380	1050	●	463	455	70	
		525	640	1440	1080	●	525	455	75	

Legend:

● = differs, depending on the lamp, see “D”-measures in table for lamps (page 2 or 3)
 The input voltages of searchlight and remote control may differ.

