

# SEEMATZ

## *Straight-Line Wiper*



## *TROPIC Version*

**WYŁĄCZNY PRZEDSTAWICIEL NA POLSKĘ**

*Elektryka  
Morska*

tel. 91 852 47 07 · fax 91 882 13 77 · kom. 608 65 95 15  
skype: elektrykamorska.pl

[www.elektrykamorska.pl](http://www.elektrykamorska.pl)

# SEEMATZ

## WIPER SYSTEM

### „TROPIC”

We are proud to present a new part of the SEEMATZ family. The TROPIC Wiper System combine the well knowing SEEMATZ quality with a very simple installation and practicable features. The key benefits are:

- Rugged SEEMATZ design
- Easy and cheap installation with standard ship cables
- Very small dimension of the Control Panel ( 4 Wiper control = 144 x 72 mm )
- Small Power Supply Case ( 4 Wiper control = 380 x 300 x 210 mm )
- Different input Powers are possible ( 115 or 230 VAC )
- Easy Operation
- Easy Maintance
- Reasonable Price

### Technical Features

#### 1. Wiper Facilities:

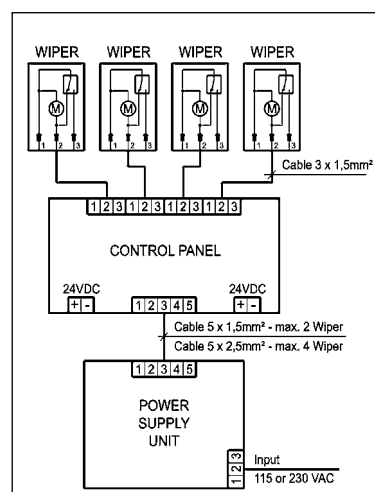
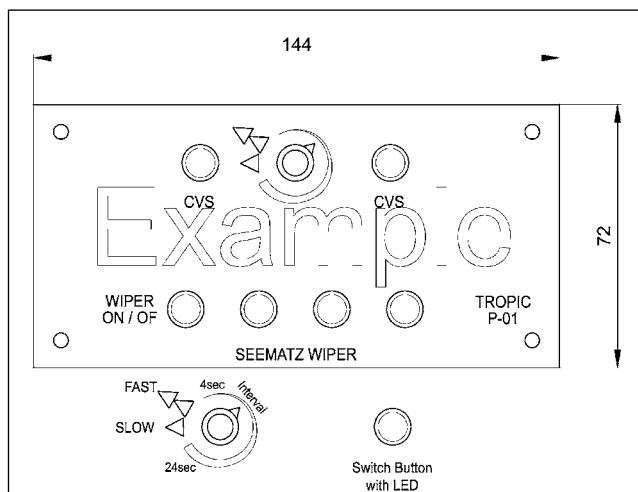
- SEEMATZ Wiper complete with Endstop, Arm made of Stainless Steel, Blade made of Aluminium. Motor 48VDC, Transport system with 4 Nylon Rolls equip with Stainless Steel ball bearings, Stainless Steel driving chain.
- Stroke up to 1525 mm
- Arm up to 700 mm
- Blade up to 1000 mm

#### 2. Controller Facilities:

- Controlpanel black coloured with lettering in gold colour - 144 x 72 mm
- Control for max. 4 wipers via separate buttons with integreted LED's
- Control switch for Fast and Slow speed operation
- Intermittet mode with 8 delay positions ( 4 – 24 sec. )
- Synchronised group wiping in intermitted mode

#### Options:

- up to two 24 VDC switch outputs incl. Button ( to connect solenoid valves – for example )



**SEEMATZ** searchlights, window wiper, floodlights

Pesch Marinescheinwerfer · Ortsring 2 · D-21423 Winsen / Luhe · Tel.: ++ 49 (0) 41 71 - 56 84 · Fax: ++ 49 (0) 41 71 - 5 07 65

Email: Sales@seematz.de