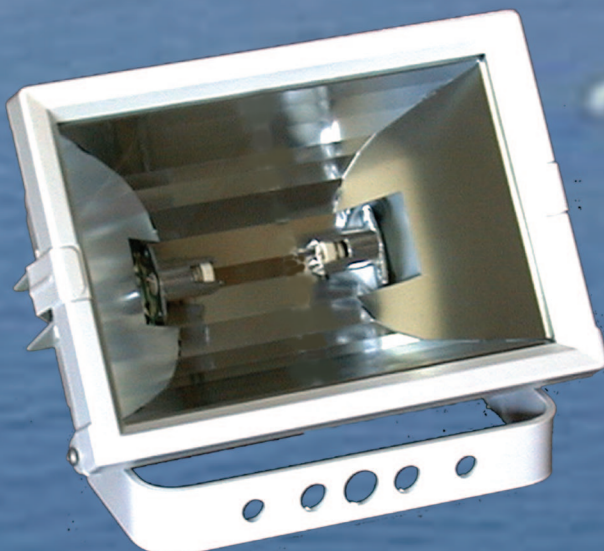


# SEEMATZ

## Floodlights

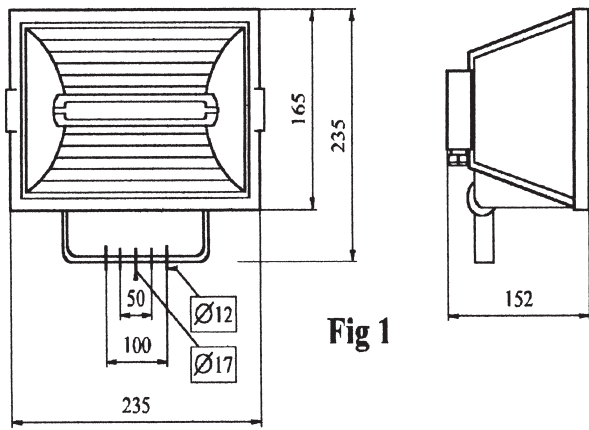


**WYŁĄCZNY PRZEDSTAWICIEL NA POLSKĘ**

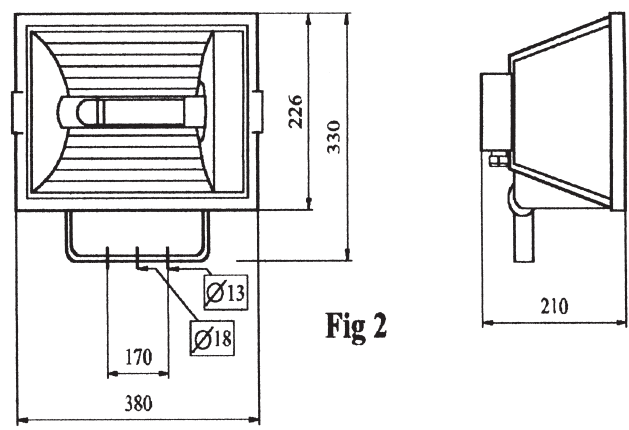
*Elektryka  
Morska*

tel. 91 852 47 07 · fax 91 882 13 77 · kom. 608 65 95 15  
skype: elektrykamorska.pl

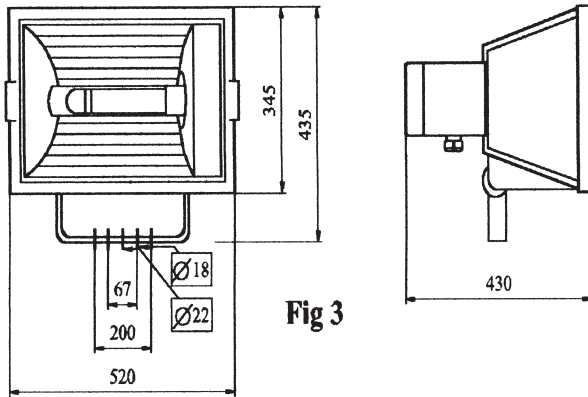
[www.elektrykamorska.pl](http://www.elektrykamorska.pl)



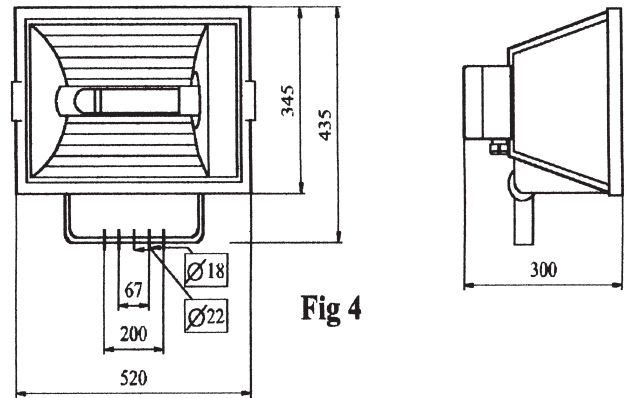
**Fig 1**



**Fig 2**



**Fig 3**



**Fig 4**

**Halogen Lamp**

Power	Lumen	Weight, kg.	Socket	Fig.
200	3200	2,1	R7s	1
300	5500	2,1	R7s	1
500	9500	2,1	R7s	1
750	16500	4,3	R7s	2
1000	22000	4,3	R7s	2
1500	33000	4,3	R7s	2

**High-Pressure Sodium Lamps**

Power	Lumen	Weight, kg.	Socket	Fig.
70	6400	7,0	E27	2
150	14350	14,3	E40	4
250	25700	15,8	E40	4
400	46500	19,3	E40	4
600	72500	24,4	E40	3
1000	129000	27,1	E40	3

**Mercury Lamps**

Power	Lumen	Weight, kg.	Socket	Fig.
125	6200	6,6	E27	2
250	13300	15,0	E40	4
400	22800	17,0	E40	4

**Metal Halide Vapour Lamps**

Power	Lumen	Weight, kg.	Socket	Fig.
70	4500	7,2	E27	2
250	17100	15,8	E40	3
400	25200	18,0	E40	4
1000	72000	26,5	E40	4

SEEMATZ Floodlights are made of seawater resistant aluminium, white powder coated. Every screws are made of stainless steel. Wide beam reflector made of anodized aluminium and special hardened front pane. Sealings are made of temperature resistant silicone rubber. The front frame will be closed by two stainless steel spring locks - it makes the lamp change easy ! SEEMATZ Floodlights are available in different voltages from 24VDC ( 200W Halogen ) up to 230VAC. The high-power units have the compl. ignition units direct at the rear of the case - no extern power supply will be necessary ! All units are conform to secure class 1, IP67, DIN/EN 60598 and 1000 hour salt-spray test ISO1456.

**WYŁĄCZNY PRZEDSTAWICIEL NA POLSKĘ**



tel. 91 852 47 07 - fax 91 882 13 77 - kom. 608 65 95 15

skype: elektrykamorska.pl

[www.elektrykamorska.pl](http://www.elektrykamorska.pl)